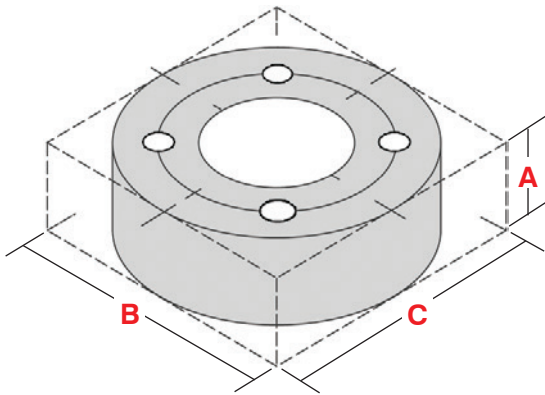


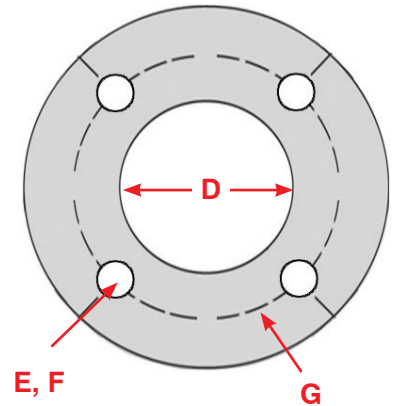
Combination Hopper Lid and Loader Stand Request for Quote Form

- Seals hopper from dirt
- Protects loader
- Keeps loaders upright for maintenance on bench or floor
- Custom made, quickly and affordably
- Square or round hoppers
- Aluminum or stainless steel standard



Hopper Dimensions Needed

- A:** Vertical space required below your loader flange when the dump flap is fully extended, PLUS 1" clearance.
- B:** If your hopper is Round or Square, measure the OUTSIDE of your hopper at the widest point (width - including the lip), PLUS 1" clearance.
- C:** For Rectangular hoppers, also measure the outside of the hopper at the longest point (length - including the lip), PLUS 1" clearance.



SPECIFY:

1. Material: Painted Steel / Color: _____
 Aluminum Stainless Steel
2. (A) Height: _____
3. (B) Diameter/Width: _____
4. (C) Length (Rectangular Only) : _____
5. (D) Loader Cut Out Diameter: _____
6. (E) Mounting Hole Diameter: _____
7. (F) Number of Mounting Holes: _____
8. (G) Diameter of Lid at the
Center of Mounting Holes: _____

Date: _____ Quantity: _____ Phone: (_____) _____ Fax: (_____) _____

Name: _____ Title: _____

Company Name: _____ Email: _____

Address: _____

City: _____ State: _____ Zip: _____



www.imscompany.com

phone order toll-free (USA & Canada) **1.800.537.5375**

fax order toll-free (USA & Canada)

phone order toll-free (Mexico)

tech support toll-free (USA & Canada)

e-mail

1.888.288.6900

001.888.304.1307

1.866.467.9001

sales@imscompany.com

Please refer to imscompany.com for current pricing ©Copyright 2021 IMS Company. All rights reserved.